

# AIR PREPARATION UNITS

## FILTER REGULATOR COMBINATION series

Kushako

### Filter Regulator Combination details :

#### Features :

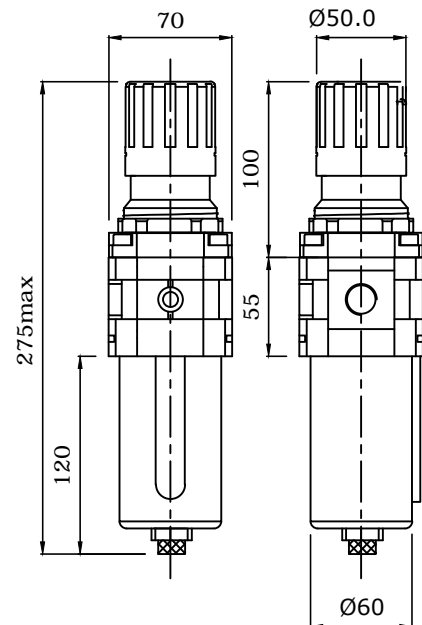
- Modular type for easy and fast maintenance.
- Suitable for wall mounting.
- Filter
  - Bronze / Plastic sintered element
  - Separator and shield for efficient moisture separation.
  - Press type Manual drain for easy operation .
- Regulator
  - Diaphragm operated, relieving type .
  - Pressure compensated by balanced poppet .
  - Non raising 'Press to lock' adjusting knob for locking at any set pressure.

#### Precautions :

- Note the direction of flow before installation & connect pipe accordingly.
- Nipples of taper threads to be used with teflon tape. Ensure teflon tape does not enter the unit during tightening.
- Flush piping for dirt, dust, rust & other foreign particles.
- Install in clean atmosphere.

#### Technical Specifications:

|                            |  |
|----------------------------|--|
| Model                      | FRC-2016-HM-SA                         |
| Medium                     | Compressed air                         |
| Port Size                  | G1/4 , 3/8 , 1/2 BSP / NPT ( F )       |
| Pressure gauge port size   | G1/8 , G 1/4 BSP / NPT ( F )           |
| Flow rate ( Ltr / Min )    | 3000                                   |
| Maximum supply pr. (bar)   | 12                                     |
| Regulating pr. range (bar) | 0 - 2, 0 - 4, 0 - 7, 0 - 10 (Standard) |
| Ambient / Medium temp.     | -5° to 60° C                           |
| Filtration ( µm )          | 1, 5, 25 & 40 ( standard), 50 , 100    |
| Bowl capacity ( ml )       | 50                                     |
| Recommended oil            | ISO VG 32                              |
| Bowl material              | Metal                                  |
| Installation               | Vertical                               |
| Materials of construction  | Aluminium, Brass, SS, Nitrile          |
| Optional accessories       | Clamp, Modular mounting kit, Pr gauge  |
| Weight (Kg)                | 0.990                                  |



Bracket



Pr. Gauge

Manufactured by :

**Kushako India**

Office : 490, Narayan Peth, Opp. Pune Marathi Granthalaya, Pune - 411030. (Maharashtra), Website : www.kushakoindia.com

Works : Sr.No. 25/1A, Village Nanded, Sinhgad Road, Tal - Haveli, Dist. Pune -411041

Tel. No : 901169077 / 7620674777

E-mail : kushako.india@gmail.com / kushakoindia1992@gmail.com

Kushako